



SUMITOMO MITSUI AUTO LEASING  
& SERVICE (THAILAND) CO., LTD

**SMAT** EV  
PROMOTION  
2024

**MG  
MAXUS 9**



Dimension (Length x Width x Height)  
5,270 x 2,000 x 1,840 mm

Granite grey Pearl white Black knight

MG MAXUS 9 X



MG MAXUS 9 V



## HIGHLIGHT FEATURES

### Premium Design Exterior/Interior :

Very beautiful premium both Exterior and Interior not only design but also the quality of material



### Comfort :

Full functions - Most comfort especially for 2nd row seat that got VIP seat with massage function

### Roominess :

Rear passenger very big space and can sit all seat , big head room and leg room

### 12.3" Screen interface design :

Is very nice and modern easy to use and can adjust everything

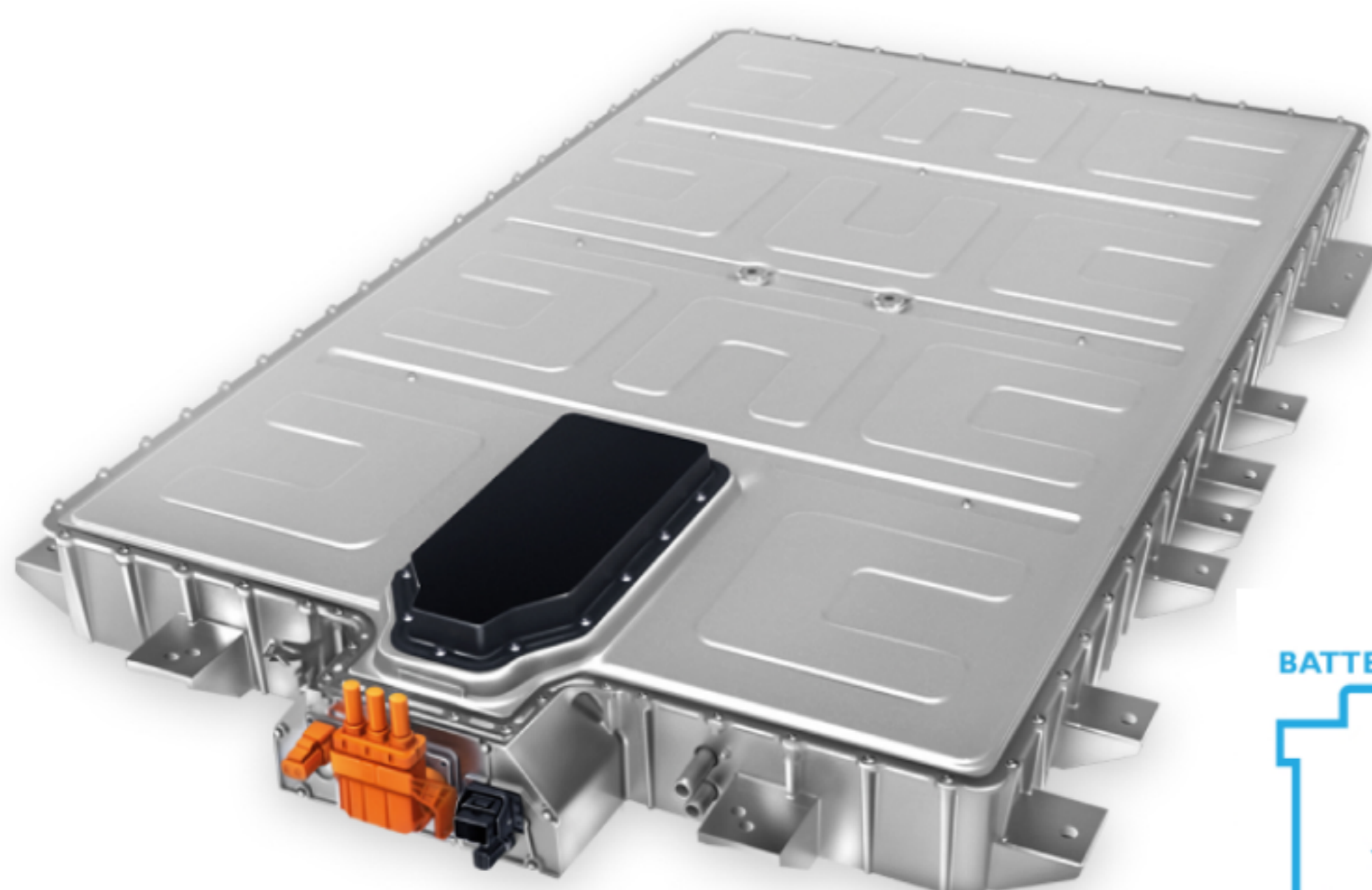


### Safety :

Blind Spot System / ADAS

### Price :

Competitive price as compare to main competitors



## BATTERY & DRIVING RANGE

- Battery model : Lithium-Ion Battery - Cell-to-Pack
- Battery capacity : 90 kWh
- Maximum range (NEDC) : 540 km
- Battery warranty : 8 years or 200,000 km

### OPERATING LEASING WITH SPECIAL PRICE

<b>3 YEARS (THB/ Month)</b>	<b>4 YEARS (THB/ Month)</b>	<b>5 YEARS (THB/ Month)</b>
<b>X 54,600   V 58,600</b>	<b>X 46,600   V 52,000</b>	<b>X 41,700   V 44,600</b>

\*The price excluding VAT

If you are interested in our services, we cordially invite you to contact our Sales team.

Bangkok : 0-2252-9511 ext. 3

Chonburi : 0-2252-9511 ext. 2310

日本人 : 0-2252-9511 ext. 5206